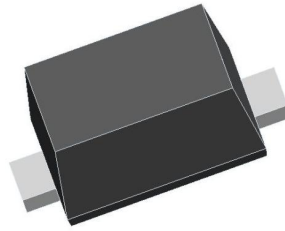


B008, Rev. -

1. Finish Goods PKG photo



2. Packing method

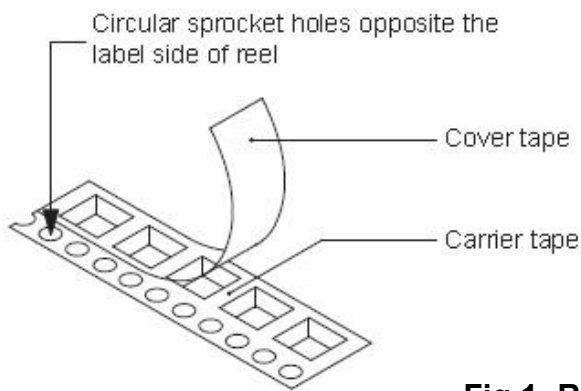
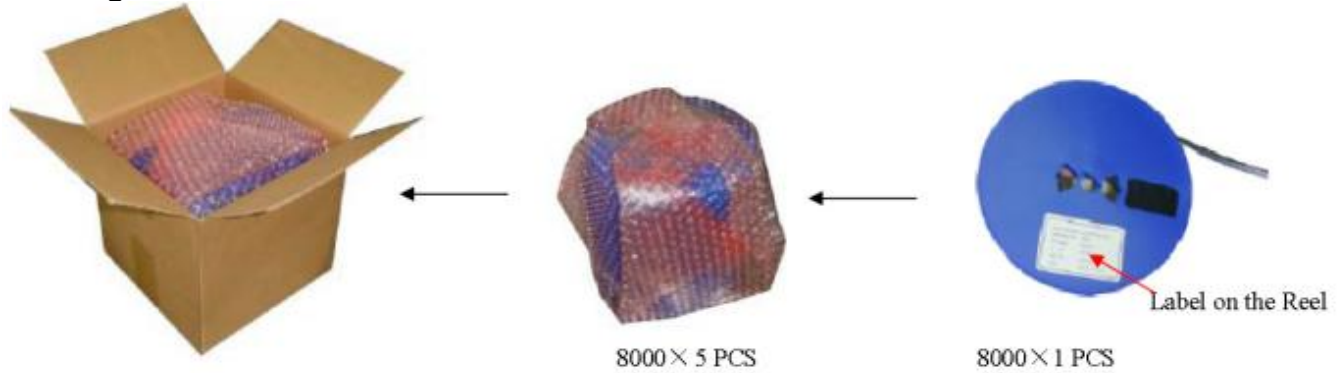


Fig.1- Reel pack for SMD

Table 1. Packing information

Package version	Reel dimensions $\phi \times H$ (mm)	Pcs/reel (pcs)	Per reel weight (Kg)	Reels per Inner box	Inner box weight (Kg)	Inner box dimensions L×W×H (mm)	Outer box/Inner box	Outer box(pcs)	Outer box weight (Kg)
SOD-523	$\Phi 178 \times 12.3$	8000	0.1	5	1.5	183x183x62	12	480K	6.50
SOD-523	$\Phi 178 \times 12.3$	3000	0.075	10	2.5	210x208x203	4	120K	11.3

3. Product orientation

Standard product orientation SOD-523

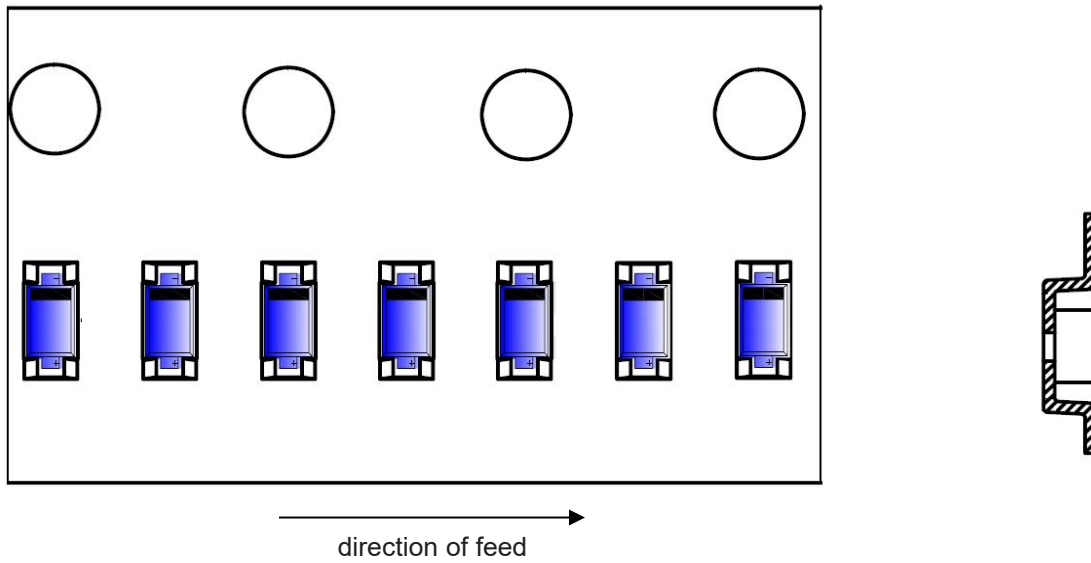


Fig 2. Product orientation in carrier tape

4. Carrier tape dimensions

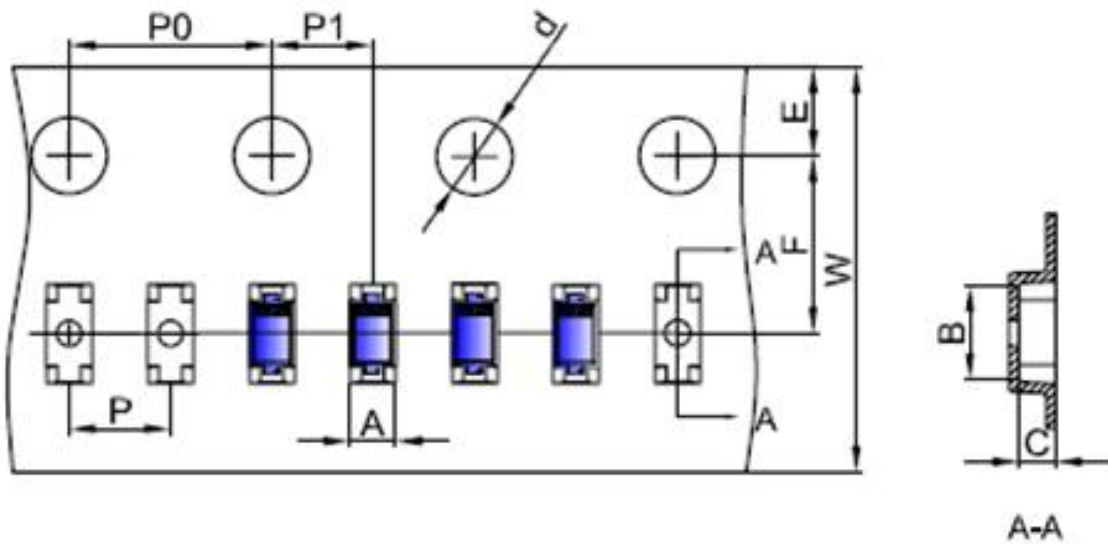


Fig 3. Carrier tape dimensions

5. Reel dimensions

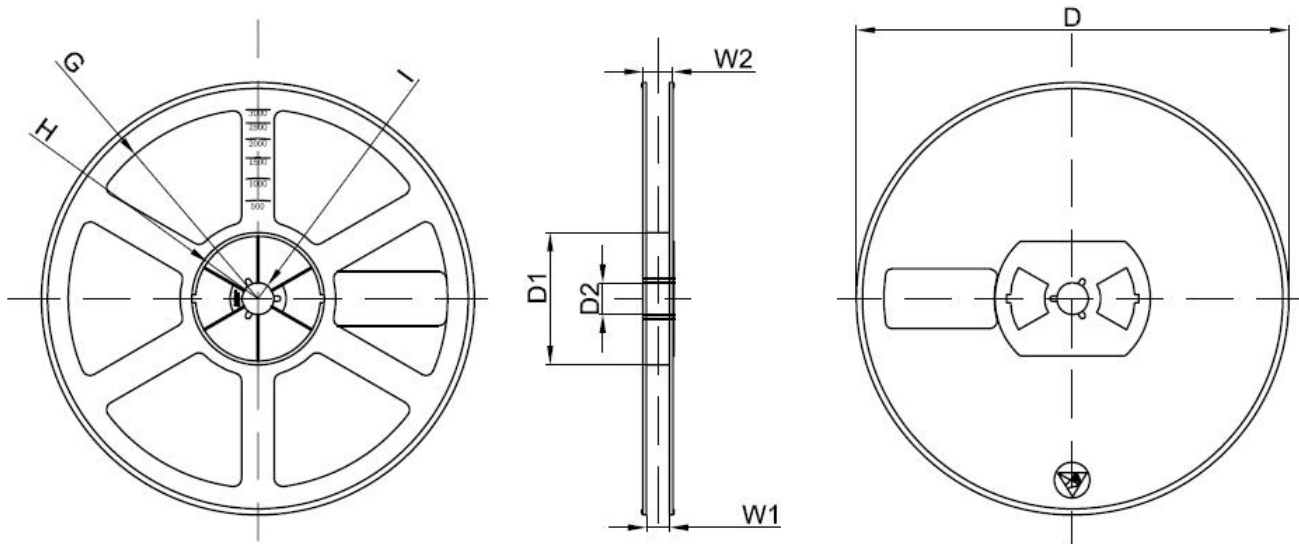


Fig 4. Reel dimensions

Table 2. Carrier tape dimensions

Dimensions are in millimeter										
Pkg type	A	B	C	d	E	F	P0	P	P1	W
SOD-523	0,9	1,94	0,73	Ø1,50	1,75	3,50	4,00	2,00	2,00	8,00
(Tolerance)	+/-0,05	+/-0,05	+/-0,05	+/-0,1	+/-0,1	+/-0,1	+/-0,1	+/-0,1	+/-0,1	+0,3/-0,1

Dimensions are in millimeter								
Reel Option	D	D1	D2	G	H	I	W1	W2
7" Dia	Ø178,00	54,40	13,00	R78,00	R25,60	R6,50	9,50	12,30
Tolerance	+/-2	+/-1	+/-1	+/-1	+/-1	+/-1	+/-1	+/-1